

Tolerance Table	
Dimension Range	Tolerance(mm)
Under 25 mm	0.1
25.1-100 mm	0.2
100.1-250 mm	0.4
250.1-400 mm	0.8
400.1-500 mm	1.5
500.1-630 mm	2.0
630.1-800 mm	2.5

TOLERANCING

UNLESS OTHERWISE SPECIFIED ALL DIMS ARE mm

X ±0.2 RADIUS ±0.15

XX ±0.1 ANGLES ±0.5°

DO NOT SCALE DRAWING

Title: WTM156R-CU10

Design: Beig
Date: 2017.12.11

Scale: NTS

Sheet: 1 of 2

Ver: 01

THIRD ANGLE VIEW

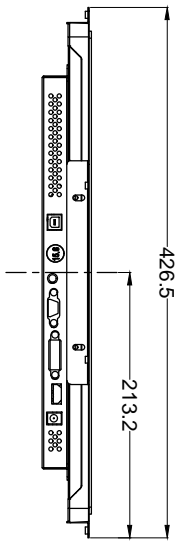
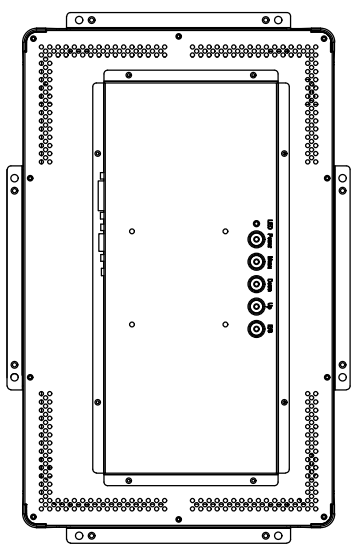
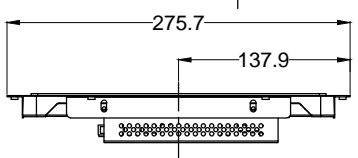
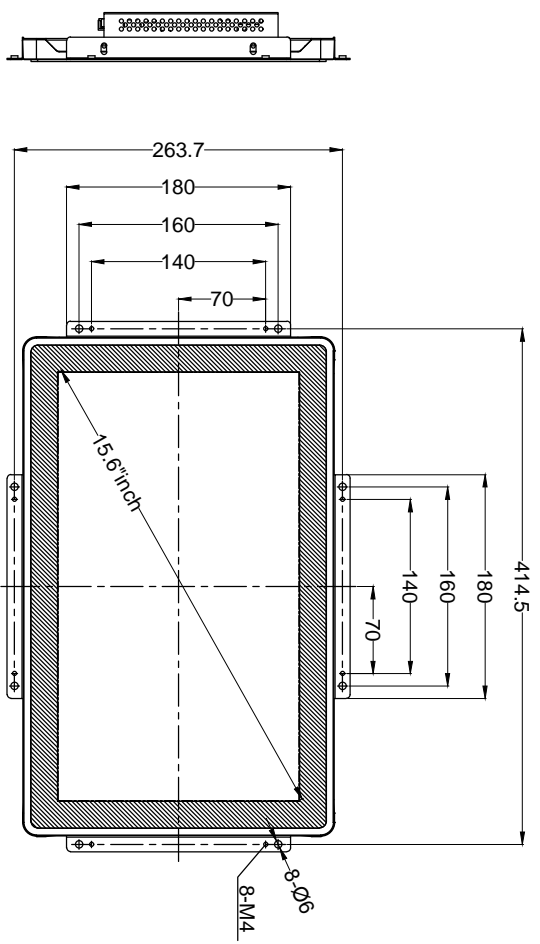
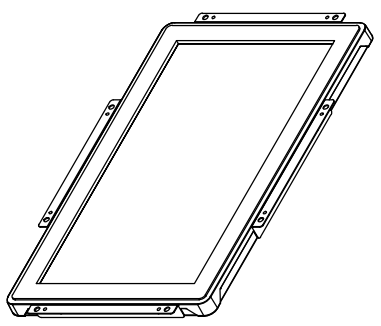
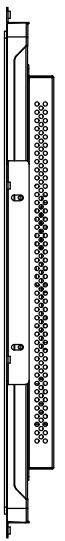
Rev	Date	Description	By
2			

B

A

B

A



Tolerance Table	
Dimension Range	Tolerance(mm)
Under 25 mm	0.1
25.1-100 mm	0.2
100.1-250 mm	0.4
250.1-400 mm	0.8
400.1-500 mm	1.5
500.1-630 mm	2.0
630.1-800 mm	2.5

TOLERANCING

UNLESS OTHERWISE SPECIFIED ALL DIMS ARE mm

x ±0.2 RADIUS ±0.15

xx ±0.1 ANGLES ±0.5°

DO NOT SCALE DRAWING

Title: WTM156R-CU10

Design: Benq
Date: 2017.12.11

Scale: NTS
Sheet: 2 of 2

Ver: 01



Rev	Date	Description	By