

## PRODUCT DESCRIPTION



WTM156TL-NT is an open frame LED professional monitor. It offers wide viewing angles and clear, crisp images. Its slim design makes self-service equipment more aesthetic, and its various of installation ways make components integrating much more easier.

Typical Application:

Amusement and Entertainment Equipment, KIOSK, Self service Terminal, Interactive Digital Signage, VTM and Way-finding machine, etc.

## ADVANTAGES

### Easy to Deploy

Plug-and-play. Adapts to universal power :12V DC

### Durable and Professional Design

All metal structure, sleek & elegant design, that makes the product durable and stable

### Working all around the clock

High quality components to ensure the product reliability

### Flexible Installation

VESA mount, heavy-duty stand gives you a choice of fixed or desktop mounting

### High Definition LCD Panel

Full HD 1920 x 1080 resolution

### TECHNICAL SPECIFICATIONS LCD

#### > LCD Panel

Backlight	LED
Brightness	220 cd/m <sup>2</sup>
Contrast Ratio	800:1
Viewing Angle	H:170° / V:170°
Response Time	35 ms (GTG)
Supported Colors	16.7M Colors
Display Resolution	1920 x 1080 (16:9)
Display Frame Rate	60Hz
Input Resolution	1920 x 1080 @ 60Hz (Analog) 1920 x 1080 @ 60Hz (Digital)
Connector	1x VGA /1x DVI /1x HDMI

#### > Mechanical

Dimensions	391.4 x 240.6x 47.1 mm
Package Dimension	TBD

Weight(approximately)	3 kg / 4 kg
Wall Mount Type	VESA,MIS-D,100,C

#### > OSD Functions

OSD Control	Push Button
OSD Language	English, Chinese

#### > Electrical

Power Supply	DC in: DC 12V (50/60 Hz)
Normal Operation	≤ 25W (typ.)
Power Off	≤ 2 W (typ.)
Internal Speaker	no

#### > Environmental

Operation	0 °C ~ 40 °C, 90% RH
Storage	-20 °C ~ 60 °C, 90% RH

#### > Options

Other	Wall mounts
-------	-------------

#### Shanghai Headquarter



TEL: +86 (0)21-58361091  
400-621-1510

ADD: Room 6206-6207, Building 6, NO.1687 Changyang Road, Yangpu District ,Shanghai, China

#### Beijing Office



TEL: +86 (0) 10-81786110

ADD: Room 1001,Unit 5,Building 2, Tiantongyuan North Second District,Changping District,Beijing,China



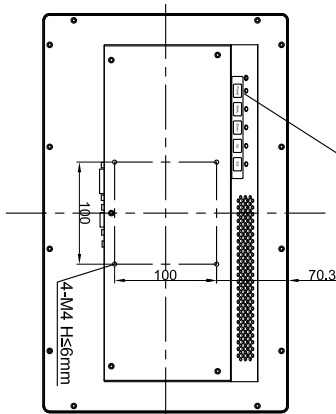
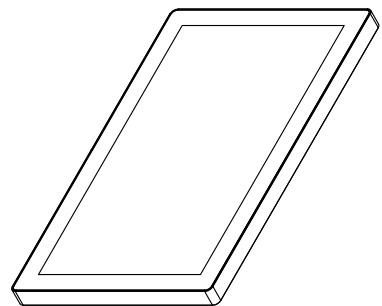
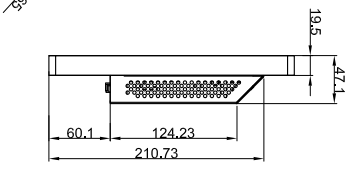
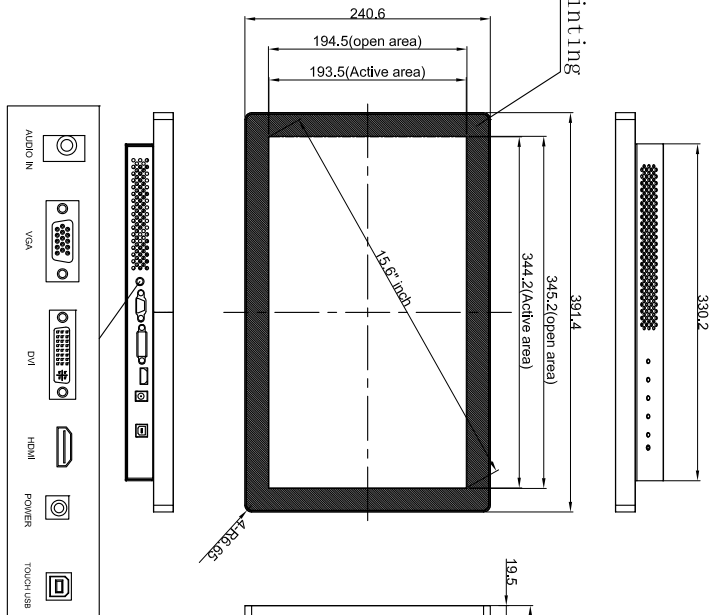
Learn more at: [www.any-touch.com](http://www.any-touch.com) ,email us at: [sales@any-touch.com](mailto:sales@any-touch.com)

Specifications subject to change without notice.

Copyright © 2017 Anytouch Technologies Co., LTD



Black screen printing



Tolerance Table	
Dimension Range	Tolerance(mm)
Under 25 mm	0.1
25-1-100 mm	0.2
100-1-250 mm	0.4
250-1-400 mm	0.8
400-1-500 mm	1.5
500-1-630 mm	2.0
630-1-800 mm	2.5

**TOLERANCING**

UNLESS OTHERWISE SPECIFIED ALL DIMS ARE mm

X ±0.2

RADIUS ±0.15

XX ±0.1

ANGLES ±0.5°

DO NOT SCALE DRAWING

Title: WTM156-CU

Date: 2017.12.13

Scale: NTS

Sheet: 1 of 1

Ver.: 01



Rev

Date

Description

By